

## Dopravné reťaze

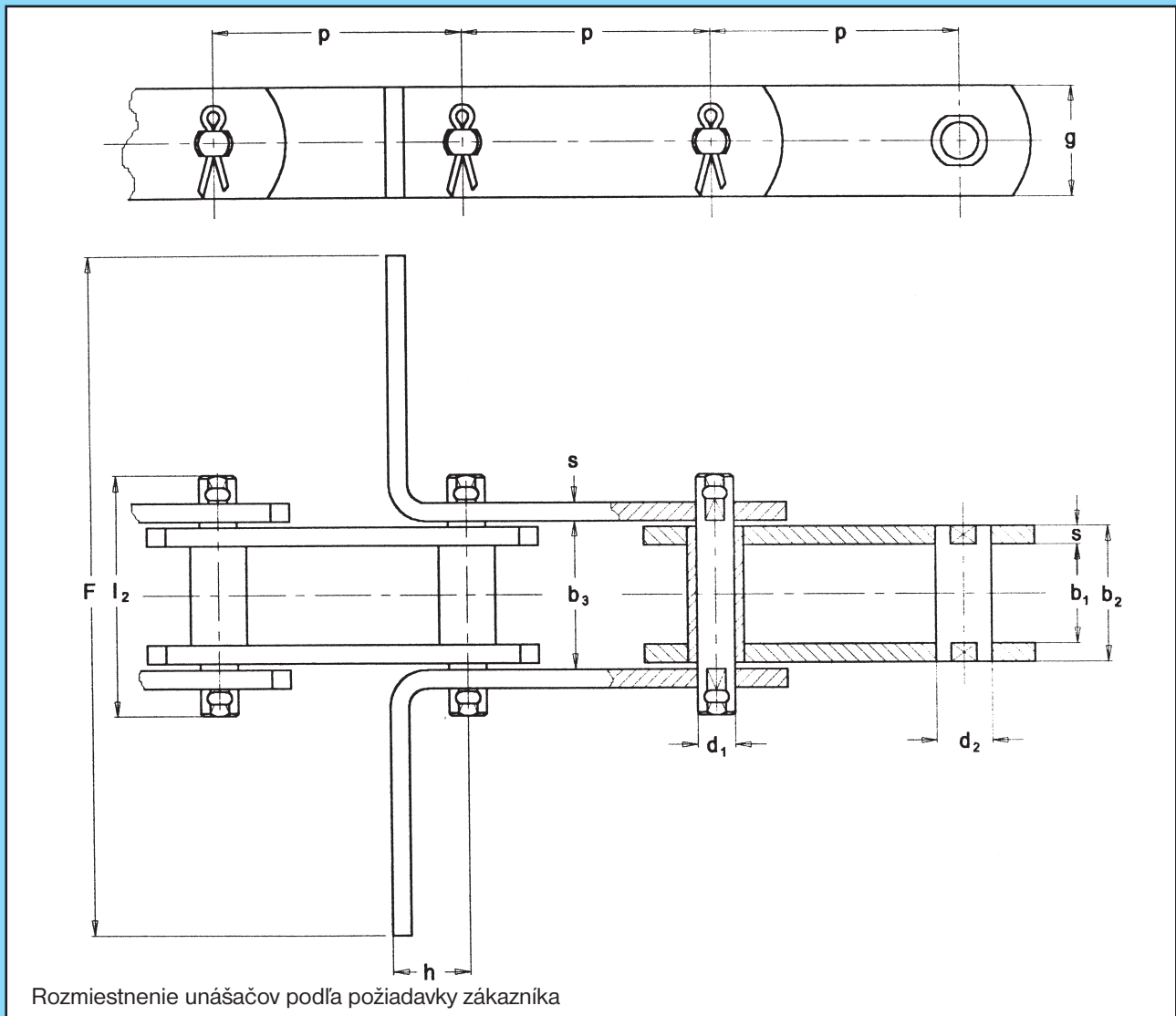
Redlerové dopravné reťaze  
podľa DIN 8167  
ISO 1977

## Förderketten

Redlerketten  
nach DIN 8167  
ISO 1977

## Conveyor chains

Redler chains  
to DIN 8167  
ISO 1977



ISO Nr.	p mm							b <sub>1</sub> mm min.	b <sub>2</sub> mm max.	b <sub>3</sub> mm min.	d <sub>1</sub> mm max.	d <sub>2</sub> mm	F mm	g mm	h mm	s mm	l <sub>2</sub> mm	f mm <sup>2</sup>	F <sub>B</sub> kN min.
	63	80	100	125	160	200	250												
MRC 56	63	80	100	125	160	200	250	24	33	33,3	10,0	15	□	30	20	4,0	54	330	56
MRC 80	80	100	125	160	200	250	315	28	39	39,4	12,0	18	□	35	25	5,0	64	468	80
MRC 112	80	100	125	160	200	250	315	32	45	45,5	15,0	21	□	40	35	6,0	73	675	112
MRC 160	100	125	160	200	250	315	-	37	52	52,5	18,0	25	□	50	40	7,0	85	936	160
MRC 224	125	160	200	250	315	400	-	43	60	60,6	21,0	30	□	60	44	8,0	97	1260	224
MRC 315	160	200	250	315	400	-	-	48	70	70,7	25,0	36	□	70	50	10,0	114	1750	315

□ = Vol'ná miera  
f = Plocha kĺbu  
F<sub>B</sub> = Pevnosť pri pretrhnutí

□ = Freimaß  
f = Gelenkfläche  
F<sub>B</sub> = Bruchkraft

□ = Free dimension  
f = Bearing area  
F<sub>B</sub> = Breaking load