

## Dopravné reťaze

podľa DIN 8165

## Förderketten

nach DIN 8165

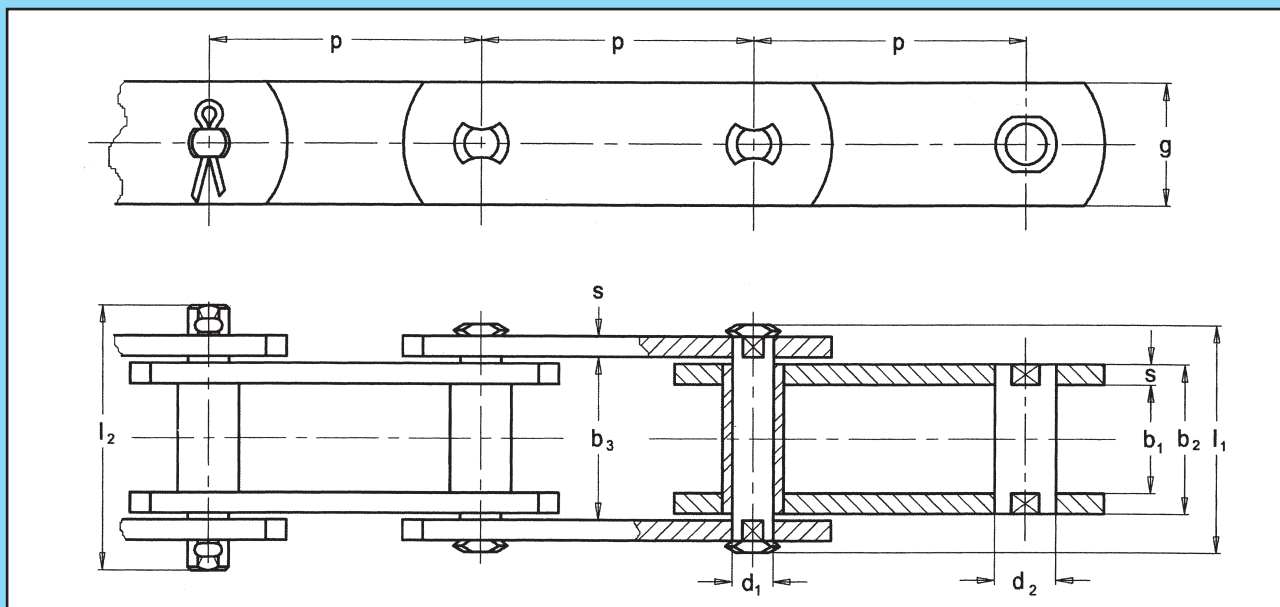
## Conveyor chains

to DIN 8165

Typ B - bez kladiek

Typ B - ohne Rollen

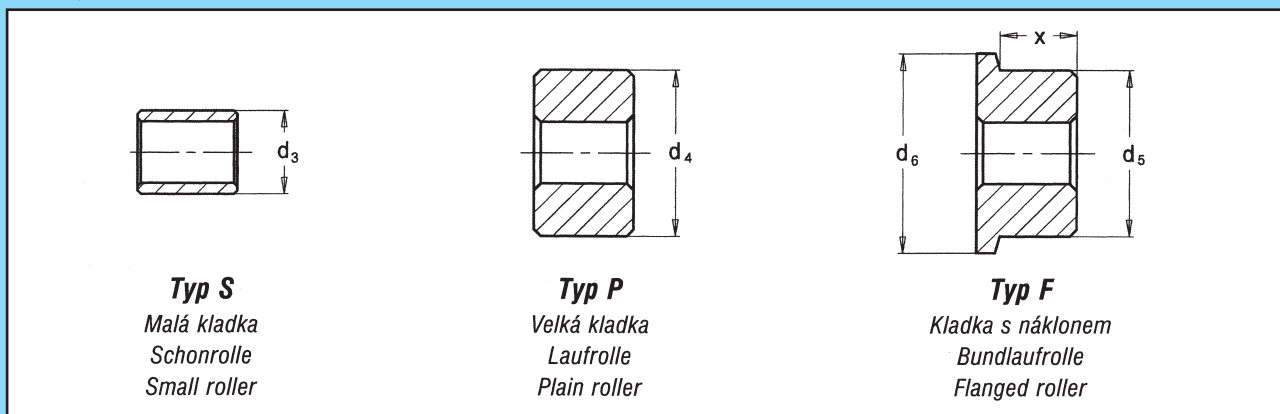
Typ B - without Rollers



Kladky - DIN 8166

Rollen - DIN 8166

Rollers - DIN 8166



ISO Nr.	p mm								b <sub>1</sub> mm min.	b <sub>2</sub> mm max.	b <sub>3</sub> mm min.	d <sub>1</sub> mm max.	d <sub>2</sub> mm B	d <sub>3</sub> mm S	d <sub>4</sub> mm P	d <sub>5</sub> mm F	d <sub>6</sub> mm F	x mm	l <sub>1</sub> mm max.	l <sub>2</sub> mm max.	g mm	s mm	f mm <sup>2</sup>	F <sub>B</sub> kN min.
FV 40	40	50	63	80	100	125	160	-	18	24,5	25,0	10	15	20	32	40	48	12,5	37	44	26	3	245	40
FV 63	50	63	80	100	125	160	200	-	22	30,5	31,0	12	18	26	40	50	60	15,5	46	55	30	4	366	63
FV 90	50	63	80	100	125	160	200	250	25	35,5	36,0	14	20	30	48	63	73	18,5	53	62	35	5	497	90
FV 112	80	100	125	160	200	250	315	-	30	42,5	43,0	16	22	32	55	72	87	22,0	63	72	40	6	680	112
FV 140	80	100	125	160	200	250	315	400	35	47,5	48,0	18	26	36	60	80	95	26,0	68	80	45	6	855	140
FV 180	-	100	125	160	200	250	315	400	45	61,5	62,5	20	30	42	70	100	120	35,0	86	100	50	8	1230	180
FV 250	-	-	125	160	200	250	315	400	55	72,0	73,0	26	36	50	80	125	145	42,0	98	114	60	8	1870	250
FV 315	-	-	125	160	200	250	315	400	65	86,0	87,0	30	42	60	90	140	170	50,0	117	133	70	10	2580	315
FV 400	-	-	-	160	200	250	315	400	70	96,0	97,0	32	44	60	100	150	185	54,0	131	151	70	12	3070	400

f = Plocha kĺbu  
F<sub>B</sub> = Pevnosť pri pretrhnutí

f = Gelenfläche  
F<sub>B</sub> = Bruchkraft

f = Bearing area  
F<sub>B</sub> = Breaking load