

Dopravné reťaze

s nosnými doskami
podľa DIN 8165

Typ P - veľká kladka

Förderketten

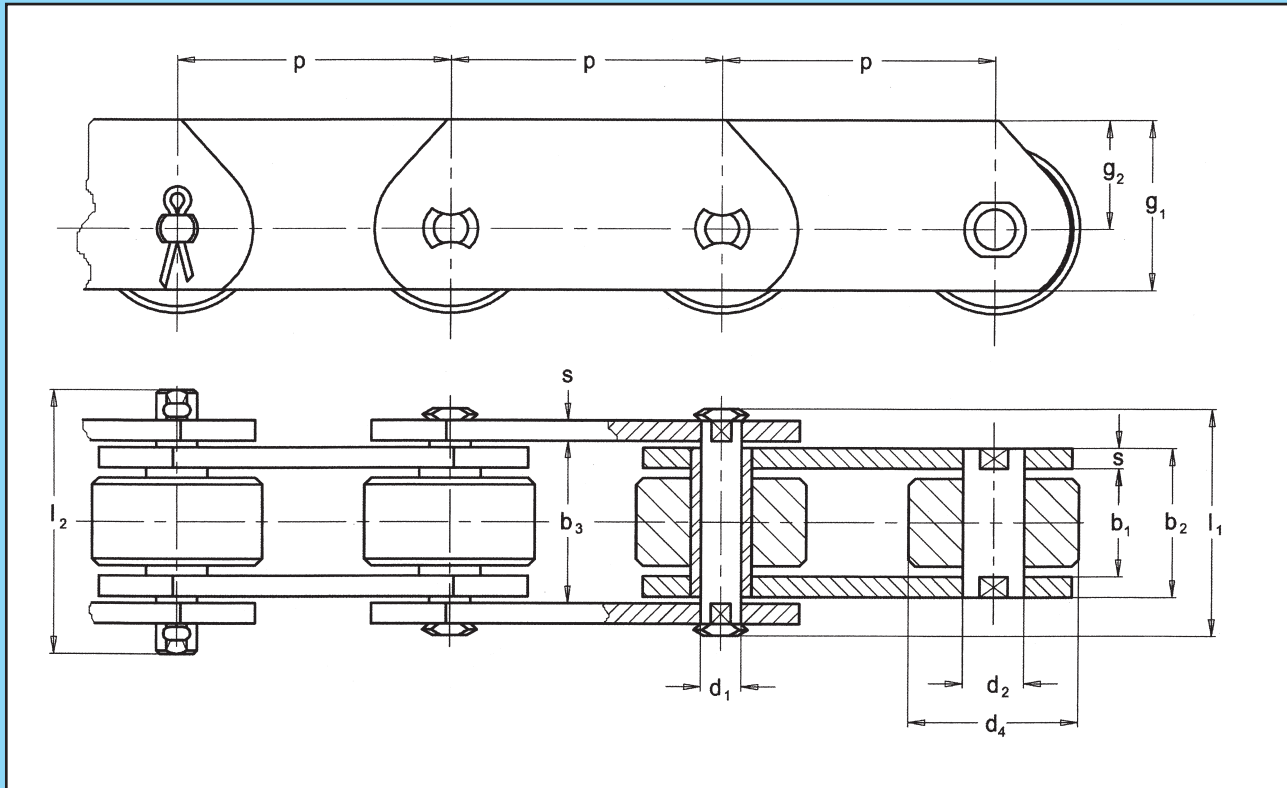
Traglaschenketten
nach DIN 8165

Typ P - Laufrolle

Conveyor chains

Deep link chains
to DIN 8165

Typ P - Plain Rollers



ISO Nr.	p mm								b ₁ mm min.	b ₂ mm max.	b ₃ mm min.	d ₁ mm max.	d ₂ mm	d ₄ mm P	g ₁ mm	g ₂ mm	s mm	l ₁ mm max.	l ₂ mm max.	f mm ²	F _B kN min.
	40	50	63	80	100	125	160	200													
FVT 40	40	50	63	80	100	125	160	-	18	24,5	25,0	10	15	32	35	22,0	3	37	44	245	40
FVT 63	50	63	80	100	125	160	200	-	22	30,5	31,0	12	18	40	40	25,0	4	46	55	366	63
FVT 90	50	63	80	100	125	160	200	250	25	35,5	36,0	14	20	48	45	27,5	5	53	62	497	90
FVT 112	80	100	125	160	200	250	315	-	30	42,5	43,0	16	22	55	50	30,0	6	63	72	680	112
FVT 140	80	100	125	160	200	250	315	400	35	47,5	48,0	18	26	60	60	37,5	6	68	80	855	140
FVT 180	-	100	125	160	200	250	315	400	45	61,5	62,5	20	30	70	70	45,0	8	86	100	1230	180
FVT 250	-	-	125	160	200	250	315	400	55	72,0	73,0	26	36	80	80	50,0	8	98	114	1870	250
FVT 315	-	-	125	160	200	250	315	400	65	86,0	87,0	30	42	90	90	55,0	10	117	133	2580	315
FVT 400	-	-	-	160	200	250	315	400	70	96,0	97,0	32	44	100	90	55,0	12	131	151	3070	400

f = Plocha kĺbu
F_B = Pevnosť pri pretrhnutí

f = Gelenkfläche
F_B = Bruchkraft

f = Bearing area
F_B = Breaking load