

Valčekové reťaze

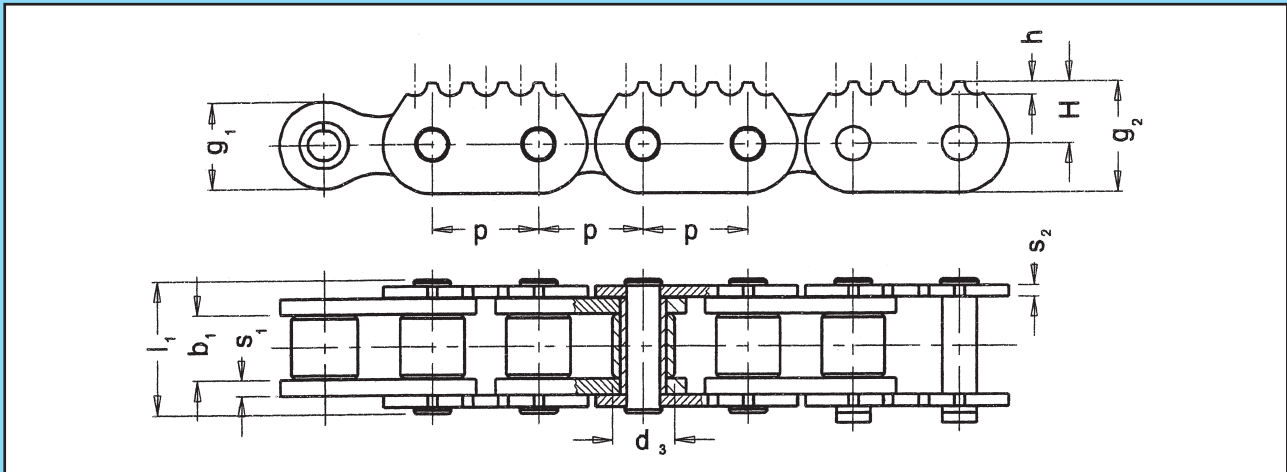
s ozubenými doskami

Rollenketten

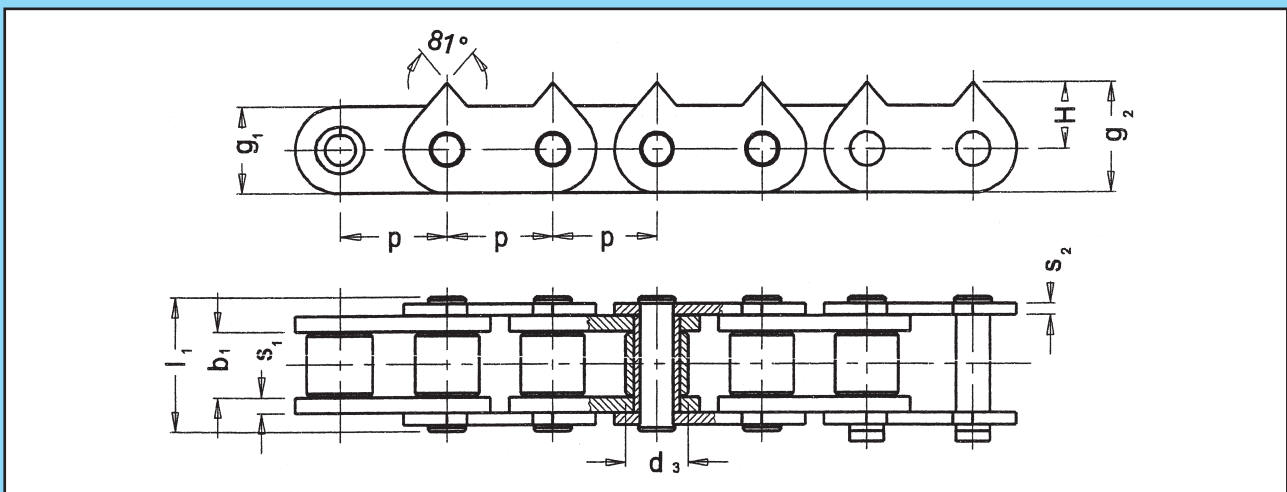
mit verzahnten Laschen

Roller chains

with toothed plates



| ISO Nr. | Obj. čís. | p mm | b ₁ mm min. | d ₃ mm h10 | l ₁ mm | g ₁ mm | g ₂ mm | s ₁ mm | s ₂ mm | H mm | h mm | F _B kN min. | Q kg/m |
|---------|-----------------|---------|------------------------------|-----------------------------|----------------------|----------------------|----------------------|----------------------|----------------------|---------|---------|------------------------------|-----------|
| 20A-Z4 | 318 161 062 000 | 31,75 | 18,9 | 19,05 | 40,5 | 29,4 | 33 | 4 | 4 | 15,3 | 3,8 | 88,5 | 4,54 |
| 20B-Z4 | 318 181 012 000 | 31,75 | 19,56 | 19,05 | 41,2 | 26,0 | 33 | 4,5 | 3,5 | 18,3 | 3,8 | 95,0 | 4,25 |
| 24B-Z2 | 318 161 200 000 | 38,1 | 25,22 | 22,23 | 50,8 | - | 38,4 | 5 | 5 | 21 | 3,8 | 127 | 6,69 |



| ISO Nr. | Obj. čís. | p mm | b ₁ mm min. | d ₃ mm h10 | l ₁ mm | g ₁ mm | g ₂ mm | s ₁ mm | s ₂ mm | H mm | h mm | F _B kN min. | Q kg/m |
|---------|-----------------|---------|------------------------------|-----------------------------|----------------------|----------------------|----------------------|----------------------|----------------------|---------|---------|------------------------------|-----------|
| 20B-Z5 | 318 191 004 000 | 31,75 | 19,56 | 19,05 | 41,2 | 26 | 33 | 4,5 | 3,5 | 20 | - | 95 | 4,15 |

Pozn.:

Na požiadanie aj
vo viacrakovom prevedení.
f = Plocha kĺbu
F_B = Pevnosť pri pretrhnutí
Q = Hmotnosť reťaze

Bemerkung:

Auf Verlangen auch
mehrfache Ausführung.
f = Gelenkfläche
F_B = Bruchkraft
Q = Kettengewicht

Note:

Also in multiple
execution on request.
f = Bearing area
F_B = Breaking load
Q = Chain weight